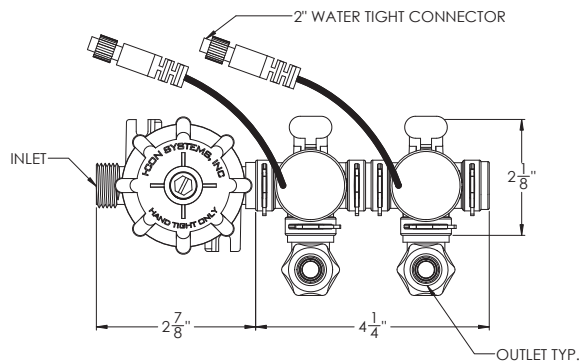
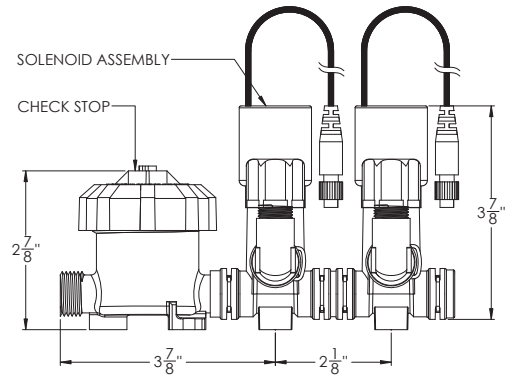


**Pre-Tempered Model
Electronic Manifold Shower Valve**

VLV-SHW-561X Series



► **Description**

Shower manifold valve for use with pre-tempered water. Up to three pre-tempered showers can be supplied by one unit.

► **Number of pre-tempered showers** (choose one)

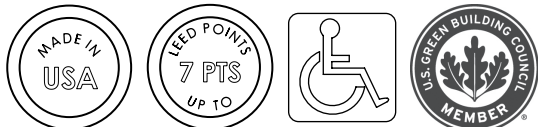
- One shower
- Two showers
- Three showers

► **Solenoid Power** (choose one)

- 24 Volts AC (High Flow)
- 9 Volts DC (Battery Operated)

► **Accessories**

For additional accessories, see the Accessories Section of the I-CON catalog or contact our Customer Service Team for details.



Specifications

- Expandable valve solution allowing for one (1) pre-temperd water supply for up to three (3) shower valves
- No metering diaphragms to fail and clog
- Engineered non-metallic valve body made from high strength glass filled polymer for advanced corrosion resistance
- Ability to activate using manual by-pass handle
- Advanced design allows for 1.5 GPM shower saving water over 2 GPM shower units
- All solenoid are interchangeable with other I-CON valves reducing spare parts
- Positive valve shut-off after pressure loss eliminating continual running
- Maximum water temperature of 120 degrees F and maximum pressure of 100 PSI
- 1/2" IPS compatible with 1/2" NPT

This space is for Architect/Engineer approval

The information contained in this document is subject to change without notice.