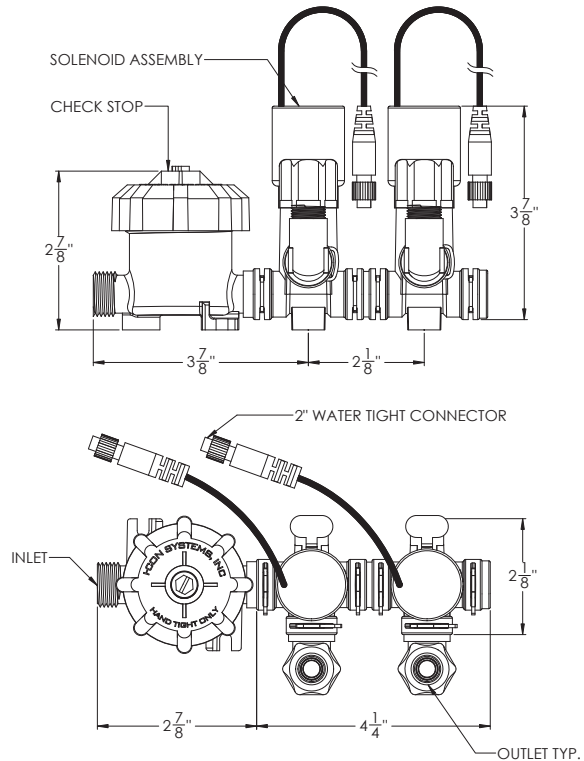


**Pre-Tempered Model  
Electronic Manifold Lavatory Valve**

**VLV-LAV-461X Series**



► **Description**

Lavatory manifold valve for use with pre-tempered water. Up to five pre-tempered lavatories can be supplied by one unit.

► **Number of pre-tempered lavatories** (choose one)

- One lavatory
- Two lavatories
- Three lavatories
- Four lavatories
- Five lavatories

► **Solenoid Power** (choose one)

- 24 Volts AC
- 9 Volts DC (Battery Operated)

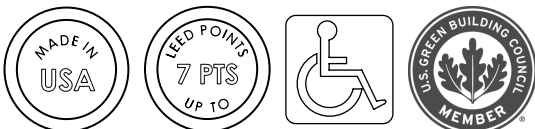
► **Accessories**

For additional accessories, see the Accessories Section of the I-CON catalog or contact our Customer Service Team for details.

**Specifications**

- Expandable valve solution allowing for one (1) pre-tempered water supply for up to five (5) lavatory valves
- No metering diaphragms to fail and clog
- Engineered non-metallic valve body made from high strength glass filled polymer for advanced corrosion resistance
- Ability to activate using manual by-pass handle
- Advanced design allows for .5 GPM
- All solenoid are interchangeable with other I-CON valves reducing spare parts
- Positive valve shut-off after pressure loss eliminating continual running
- Maximum water temperature of 120 degrees F and maximum pressure of 100 PSI
- 1/2" IPS compatible with 1/2" NPT

This space is for Architect/Engineer approval



The information contained in this document is subject to change without notice.