

20" Offset Lav-Toilet Combination

FXR-SS-C-1030-OX Series



Fixture may be featured with available options.

Specification Guide

- Floor mounted cabinet with optional wall or floor outlet waste.
- Oval lavatory basin with fast drain, air circulating self draining soap dish, and 4" high backsplash.
- Elbow lavatory waste with 1 ¼" OD plain end extended 3" beyond rear of fixture.
- Flushing inlet connection 1 ½" FIPT.
- Integral elongated seat.
- Self draining flushing rim.
- Blowout flushing action.
- 2 ⅜" OD toilet waste outlet with plain end extended 3" beyond rear of fixture.
- Fully enclosed trap.
- Cabinet interior is provided with a sound dampening, fire resistant material.
- Anchoring shall be a 6-point mounting system, furnished with necessary fasteners for proper installation.

Note: Optional Wall Sleeve or Metal Template is recommended for all installations for required wall openings.

► Description

This Combination Lavatory/Toilet Fixture is designed for high security areas with an accessible pipe chase. Fixtures are fabricated using 14-gauge type 304 stainless steel, seamlessly welded to form a one piece vandal resistant unit. Exposed surfaces are polished to a satin finish, except for the integral seat which is polished to a bright mirror finish.

► Performance

I-CON fixtures are designed to withstand 5,000 lbs. loading without permanent deflection and damage. They meet or exceed ASME A112.19.3-2008 and CSA B45.4-08 requirements. The trap design will allow for a 2 ½" ball to pass. When used with the I-CON MOMENTUM® Flush Valve, the unit is capable of flushing 1.0 gallon per flush. If unit is used with other flush valves, the unit will flush using 1.6 gallons per flush. A minimum 1" supply line providing a minimum 25psi flushing pressure is required.

► Recommended I-CON Intelligent Control System

The system includes low voltage water resistant controllers, waterproof stainless steel actuators, direct acting solenoid valves with no diaphragms, and an ASSE certified flush valve proven to be more reliable and less expensive to maintain than traditional valves. When used with the I-CON MOMENTUM® Flush Valve, the unit is capable of flushing 1.0 gallon per flush exceeding all HET requirements. The I-CON System can be configured as a standalone or communicating system linked to our touchscreen PC technology, which both configurations offer with the capability to stop flooding and abuse while managing toilet flushes per hour/per fixture reducing water usage and sewer costs.



► Accessories & Options

20" Offset Lav-Toilet Combination

FXR-SS-C-1030-OX Series

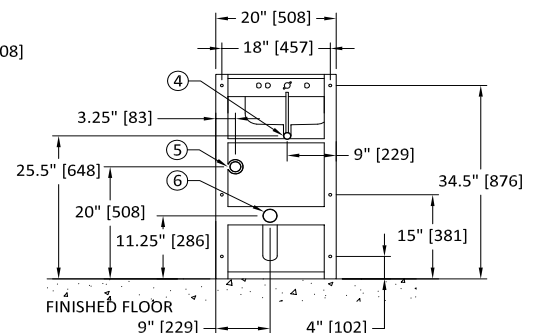
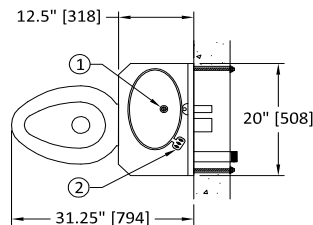
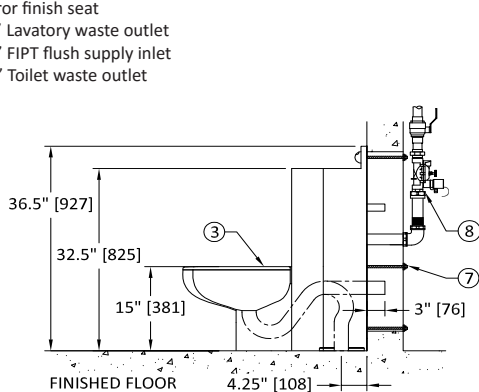
- ▶ **Wall Type (must select one)**
 Block Concrete Steel
- ▶ **Wall Thickness (must select one)**
 Less than 3 3/8" 3 3/8" 5 1/8" 6" 7 5/8" 8"
- ▶ **Access Type (must select one)**
 Rear
- ▶ **Fixture Location (must select one)**
 Off Floor On Floor
- ▶ **Outlet Location (must select one)**
 Floor Outlet Wall Outlet
- ▶ **Toilet Orientation (must select one)**
 Offset Left Offset Right
- ▶ **Basin Selection (must select one)**
 Oval Bowl
- ▶ **Lavatory Bubbler (must select one)**
 Lavatory Filler
 Penal Bubbler
 Suicide Resistant Bubbler
 Penal Bubbler with Mouthguard
- ▶ **Lavatory Button Cutout (must select one)**
 I-CON Single Temperature
 I-CON Dual Temperature
- ▶ **Toilet Button Cutout (must select one)**
 None
 I-CON Momentum® Flush Valve
 I-CON Flush Valve Powered by ProLAST®
- ▶ **Toilet Waste (must select one)**
 Standard 3" Beyond Rear of Fixture
 Custom ___ Inches Beyond Rear of Fixture
 Gasket Waste Outlet
- ▶ **Modified Dimensions (optional)**
 See changes selected on page 3

- ▶ **Lavatory Waste (must select one)**
 Standard 3" Beyond Rear of Fixture (Stainless)
 Custom ___ Inches Beyond Rear of Fixture (Stainless)
 1 1/2" FIPT to Rear of Fixture (Stainless)
 P-Trap in Cabinet / Standard 3" Beyond Rear of Fixture (Stainless)
 P-Trap in Cabinet / Custom ___ Inches Beyond Rear of Fixture (Stainless)
 P-Trap in Cabinet / 1 1/2" FIPT to Rear of Fixture (Stainless)
 Combined Waste (Stainless)
 P-Trap in Cabinet, Cast Brass with Plug, Removable
 Thru-Wall Connection With P-Trap
- ▶ **Mounting Accessory (optional)**
 Wall Sleeve Wall Template
Note: Additional documents required.
- ▶ **Toilet Waste Couplings - No Hub (must select one)**
 None
 2 3/8" Stainless Steel to 3" Cast Iron / Plastic
 2 3/8" Stainless Steel to 3" Cast Iron / Plastic with Cleanout T & Plug
 2 3/8" Stainless Steel to 3" Cast Iron / Plastic with Cleanout T & Pinned Plug
 2 3/8" Stainless Steel to 3" Cast Iron / Plastic with Cleanout T & Hook Assembly
 2 3/8" Stainless Steel to 4" Cast Iron / Plastic
 2 3/8" Stainless Steel to 4" Cast Iron / Plastic with Cleanout T & Plug
 2 3/8" Stainless Steel to 4" Cast Iron / Plastic with Cleanout T & Pinned Plug
 2 3/8" Stainless Steel to 4" Cast Iron / Plastic with Cleanout T & Hook Assembly
- ▶ **Toiletry Accessories (optional)**
 Towel Hook Quantity ___ Location: left right
 Toothbrush Quantity ___ Location: left right
 Integral Tissue Holder left right front
 Hinged White Plastic Seat without cover
 Integral Shelf
- ▶ **Additional Options (optional)**
 Suicide Resistant Skirt
 Vent Grill left right
 Lavatory Overflow
 Toilet Shipping Cover
 12 Gauge Cabinet
 Flush Valve Opposite in Lieu of Standard Location
 Flush Valve Through Wall Connector / Length: ___ inches (Minimum 3")

Note: If any modification is required please contact factory for availability.

1. Fast drain
2. Soap dish
3. Mirror finish seat
4. 1 1/2" Lavatory waste outlet
5. 1 1/2" FIPT flush supply inlet
6. 2 3/8" Toilet waste outlet
7. 1/2" Threaded anchor
8. Optional I-CON electronic flush valve

Revised: 09/02/16



Important: Installation instructions and rough-in are included with each fixture. Do not modify these drawings. Do not rough in with certified dimensions. Dimensions are subject to manufacturer's tolerance of plus or minus 1/4" and change without notice. I-CON assumes no responsibility for use of voided or superseded data. © I-CON Systems, Inc.

Approved for Manufacturing

Company _____ Quantity _____
 Signature _____ Date _____