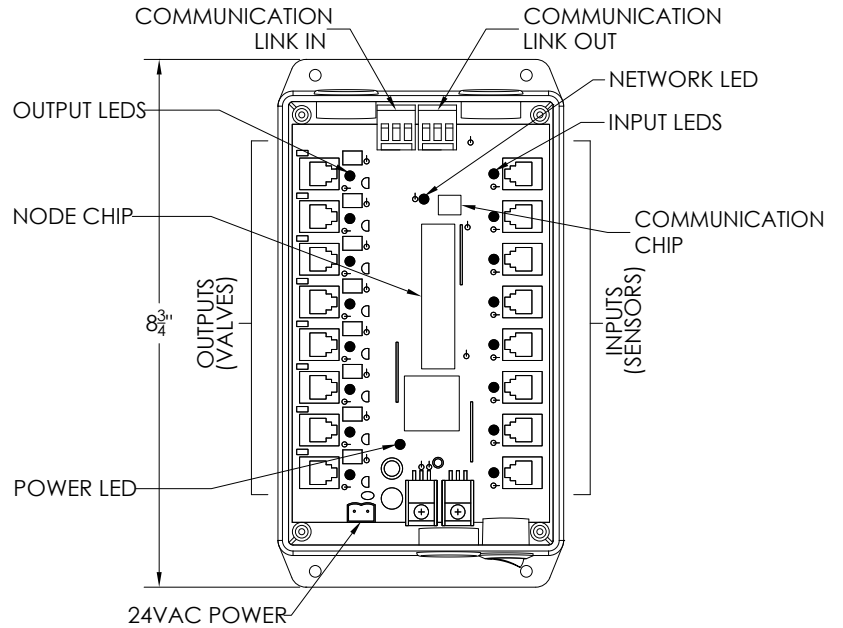
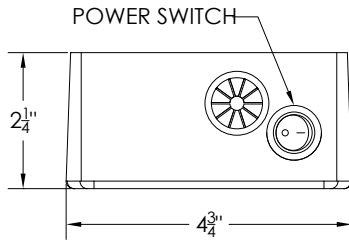


8 I/O AC Communicating Controller

CTR-X11-C-08 Series



Description

Communicating Eight Input/Eight Output Controller used to control up to Eight buttons and valves. Multiple controllers can be networked and linked into an I-CON Envisage powered computer system.

- Program Type** (choose one) Port # 12345678
- Two Combies and Two Showers (HCFHCFSS)
 - Two Combies and Cold, Flush (HCFHCFCF)
 - Four Watercloset and Four Showers (FFFFSSSS)
 - Eight Showers (SSSSSSSS)
 - Four Lavatories (HCHCHCHC)
 - Special Order - Please Contact Factory _____

- Timing Adjustment Option** (choose one)
- None
 - Adjust Lockout Times (Waterclosets)
 - Adjust Run Times (Showers)
 - Adjust Lockout Times and Runtimes (WC & Shower)
 - Special Order - Please Contact Factory _____

Accessories

See Accessories Section of the I-CON catalog or contact our Customer Service Team for details.

Specifications

- Specifically designed for penal use and other vandal prone areas to conserve potable water consumption
- 24 VAC power with low power consumption
- Electrical telephone plug type connectors for sensor and solenoid
- Ability to be remotely located up to three hundred (300) feet from the associated fixtures
- UL Listed (E308296) and independently tested
- Adjustable program times without dip switches
- Power switch on the exterior of the housing
- Amber power LED illuminates with power
- Green LEDs illuminate at each port to show the port is active
- Red LEDs indicate block times are in effect
- Power surge protection and voltage spike protection

This space is for Architect/Engineer approval



The information contained in this document is subject to change without notice.